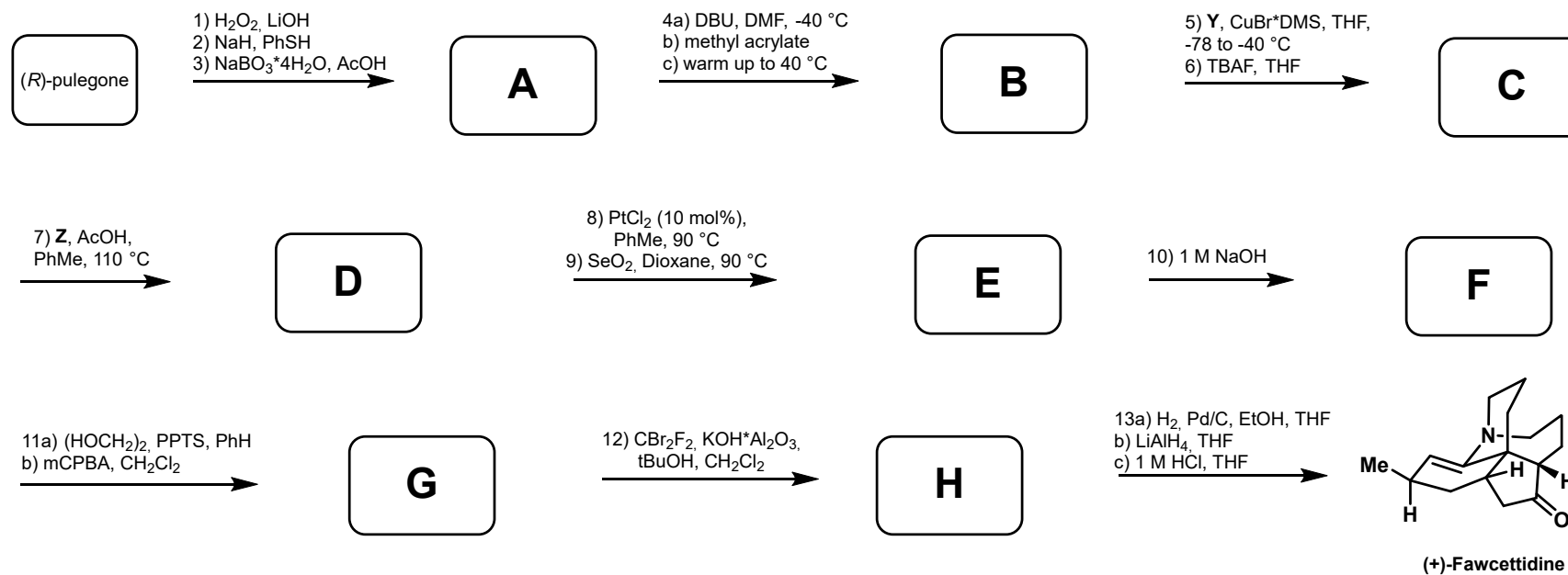
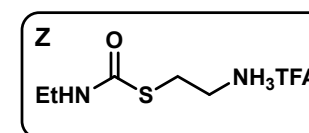
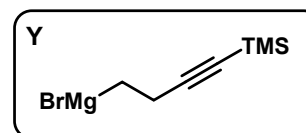


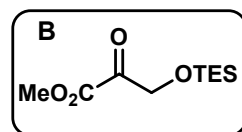
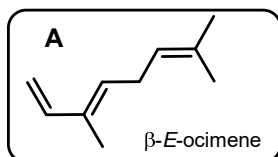
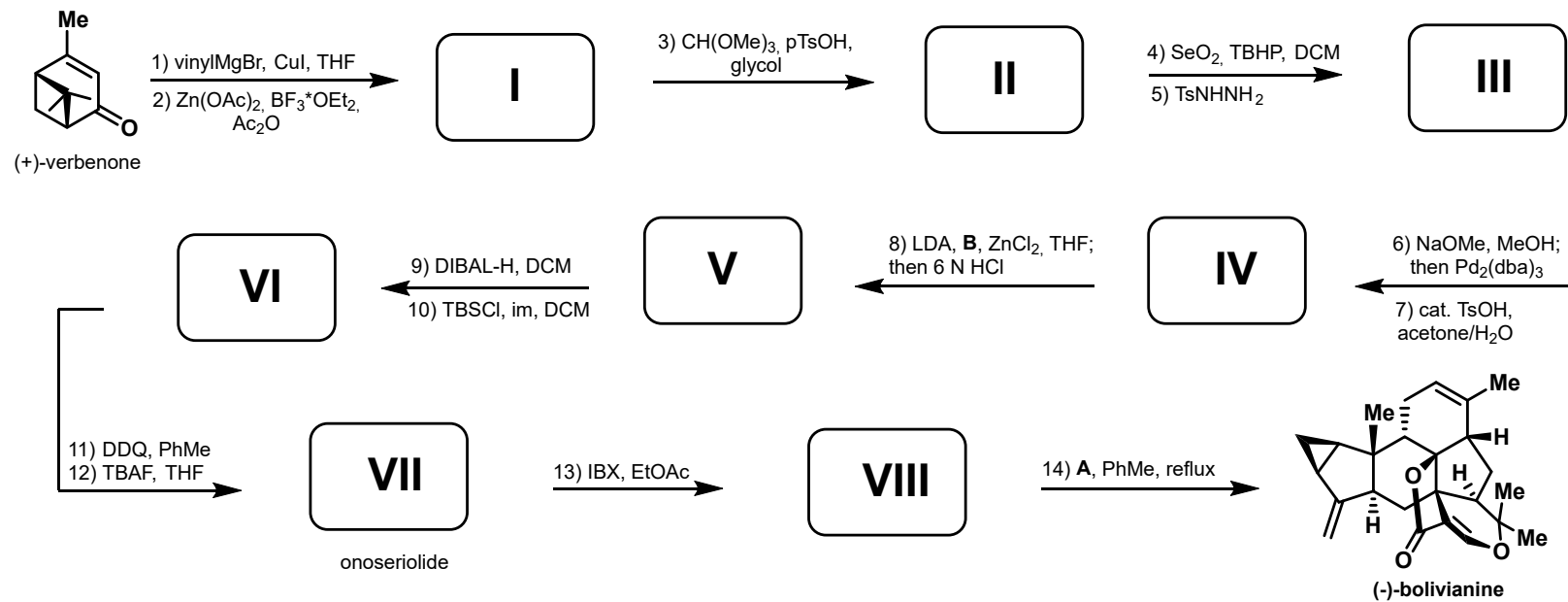
Denksport 29/09/2020



Add on:

What is the structure of $\text{NaBO}_3 \cdot 4\text{H}_2\text{O}$?
 Provide a mechanism for step 12!





Add on:

Provide a mechanism for the transformations 8 and 11!